



PENINSULA
PACKAGING COMPANY
www.penpack.net

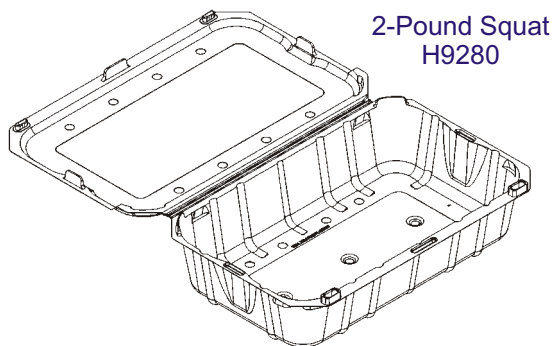


Cherry Clamshells

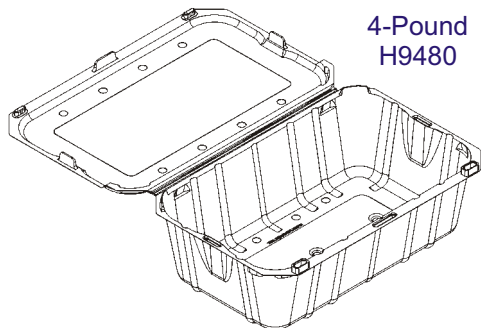


Features:

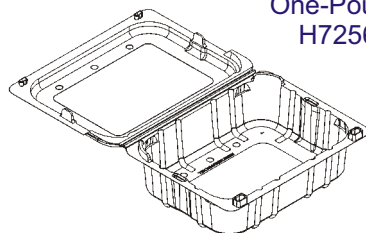
- Meets the Sustainability Packaging Requirements of Major Retailers (eg Costco, Sam's, Wal*Mart)
- Top and Bottom Hole Vents
- Secure "Dog Bone" Pin-Locks
- Self Aligning Locking Pins
- Secondary Lid-to-Base "Bridge" Supports
- Costco - Approved
- Denesting Lugs for Easy Separation
- 5-Down Footprint
- Made with up to 100% Tough Recycled PET Drink Bottles
- Made with 50% Clean Solar Non-Polluting Energy from the Sun
- International Resin Codes
- Made in USA



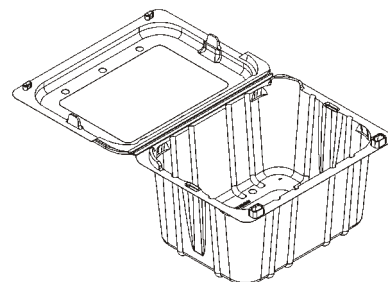
2-Pound Squat
H9280



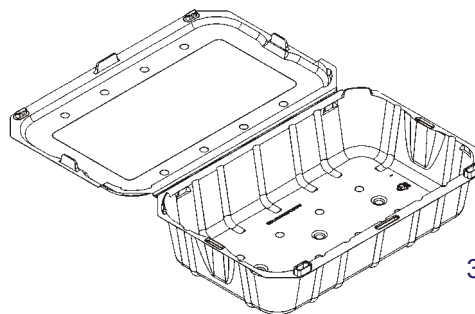
4-Pound
H9480



One-Pound
H7256



2-Pound
H7456



3-Pound
H9382

Patented Designs
PAT NO D569243

See Other Side for Specifications

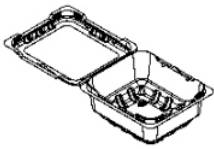
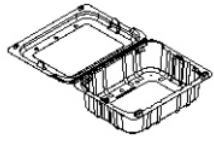
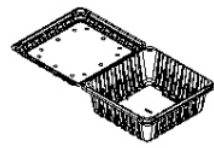


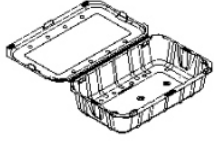
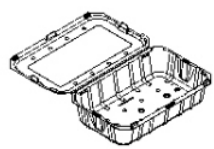
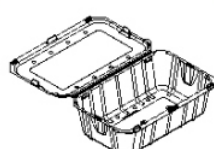


Many produce items are available labeled with top and bottom labels.
All produce items are made from PET plastic and contain up to 100% post-consumer recycled drink bottles.
Up to 50% self-generated clean energy from the SUN is used in the manufacturing of Peninsula's packaging products.
Contact your Peninsula sales representative for details.

Facility Locations:

Corp Offices	2540 Wilco Blvd.
1030 N. Anderson Rd.	Wilson, NC 27894
Exeter, CA 93221	(252) 265-5590
(559) 594-6813	ncsales@penpack.net
sales@penpack.net	

CHERRY CLAMSHELLS

Description	Product Picture	Item Number(s)	Outside Dimensions - Inches (mm)				Inside Dimensions - Inches (mm)				Closure	Case Count	Cases per Pallet
			Length	Width	Height	Closed Height	Length	Width	Height	Closed Height			
Pint Modular Hinged-Lid (8 oz Modular)		H6250	5-1/2 (140)	4-1/16 (103)		2-1/2 (64)	4-7/8 (124)	4-5/16 (109)		2-5/16 (59)	Perimter	390	30
1 lb. Cherry PAT NO D569243		H7256	7-1/8 (181)	5-5/8 (143)		2-11/16 (68)	6-5/8 (168)	5-1/8 (130)		2-11/16 (68)	Pins Patent Pending	260	24
2 lb Grape Tomato		H7380	7-1/8 (181)	7-7/16 (179)		3 (76)	6-3/4 (171)	6-1/2 (165)		2-7/8 (73)	Perimter	252	24
2 lb. Cherry PAT NO D569243		H7456	7-1/8 (181)	5-5/8 (143)		4-1/16 (103)	6-5/8 (168)	5-1/8 (130)		4-1/16 (103)	Pins Patent Pending	240	24
1 lb 8 Down Squat Clamshell	 NEW	H9255	9-7/16 (240)	5-1/2 (140)		1-5/8 (41)	9-1/8 (232)	5 (127)		1-5/8 (41)	Pins Patent Pending	340	24
2 lb. Squat Cherry PAT NO D569243		H9280	11 (279)	7-1/4 (184)		2-1/4 (57)	10-1/2 (267)	6-3/4 (171)		2-1/4 (57)	Pins Patent Pending	150	24
3 lb. Cherry PAT NO D569243		H9382	11 (279)	7-1/4 (184)		2-13/16 (71)	10-1/2 (267)	6-3/4 (171)		2-13/16 (71)	Pins Patent Pending	140	24
4 lb. Cherry PAT NO D569243		H9480	11 (279)	7-1/4 (184)		3-11/16 (94)	10-1/2 (267)	6-3/4 (171)		3-11/16 (94)	Pins Patent Pending	110	24



Many produce items are available labeled with top and bottom labels. Contact your Peninsula sales representative for details.
 All produce items are made from PET plastic and contain up to 100 percent post-consumer recycled materials.
 Clean energy from the SUN is used in the manufacturing of Peninsula's packaging products.
 Dimensions are to be used as guidelines only. Application should be verified from product samples.
 Subject to change without notice.